

По вопросам продаж и поддержки обращайтесь:
Волгоград (844)278-03-48, Воронеж (473)204-51-73, Екатеринбург (343)384-55-89, Казань(843)206-01-48,
Краснодар(861)203-40-90, Красноярск(391)204-63-61, Москва(495)268-04-70, Нижний Новгород(831)429-08-12,
Новосибирск(383)227-86-73, Ростов-на-Дону(863)308-18-15, Самара(846)206-03-16,
Санкт-Петербург(812)309-46-40, Саратов(845)249-38-78, Уфа(347)229-48-12,
Единый адрес: swd@nt-rt.ru

www.swissfluid.nt-rt.ru

SWISSfluid

SCP Cylindrical Plug Valves *plastomer-lined*

1/2" – 6" RP (red. port)

SCP Cylindrical Plug Valves are ideally suited for Shut-off, Flow Control and Throttling of corrosive, abrasive or even toxic process media in either liquid or gaseous state.

Modular Design

Valves are available with handlever for manual quarter turn operation as per standard or with bare shaft for easy installation of actuator units.

The sturdy design bodies are made of cast steel 1.0619 (WCB), epoxy coating RAL 5005 signal-blue or stainless steel casting 1.4408 (CF-8M), with resistant linings such as PFA or PFA-AS (conductive).

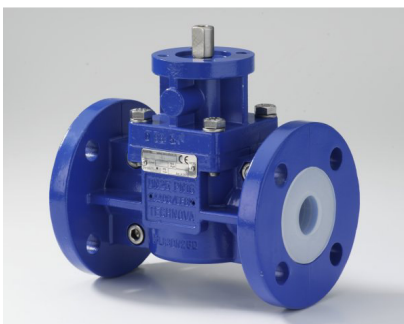


Main Features

- Heavy-duty, robust construction, maintenance-free
- Bubble-tight shut-off throughout the full pressure and temperature range
- Cavity-free design, max. permeation protection
- Zero stem leakage provided by an innovative stem sealing mechanism
- Consistent low operating torque through cylindrical plug design and resilient liner/cylinder contact
- Maximum flow rates at lowest pressure drops
- Easy replacement of components on site
- Flange connections acc. to ANSI 150lbs (DIN optional) for installation into existing piping systems

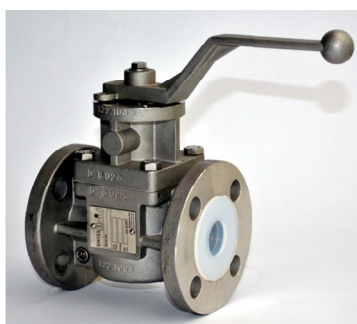
 **Conformity according to European Pressure Equipment Directive 97/23/EC (PED)**

Operating Options



Standard Valve

Body 1.0619 (WCB)/PFA, bare shaft



Stainless Steel

Body CF-8M/PFA, with handlever

SCP Cylindrical Plug Valves plastomer-lined

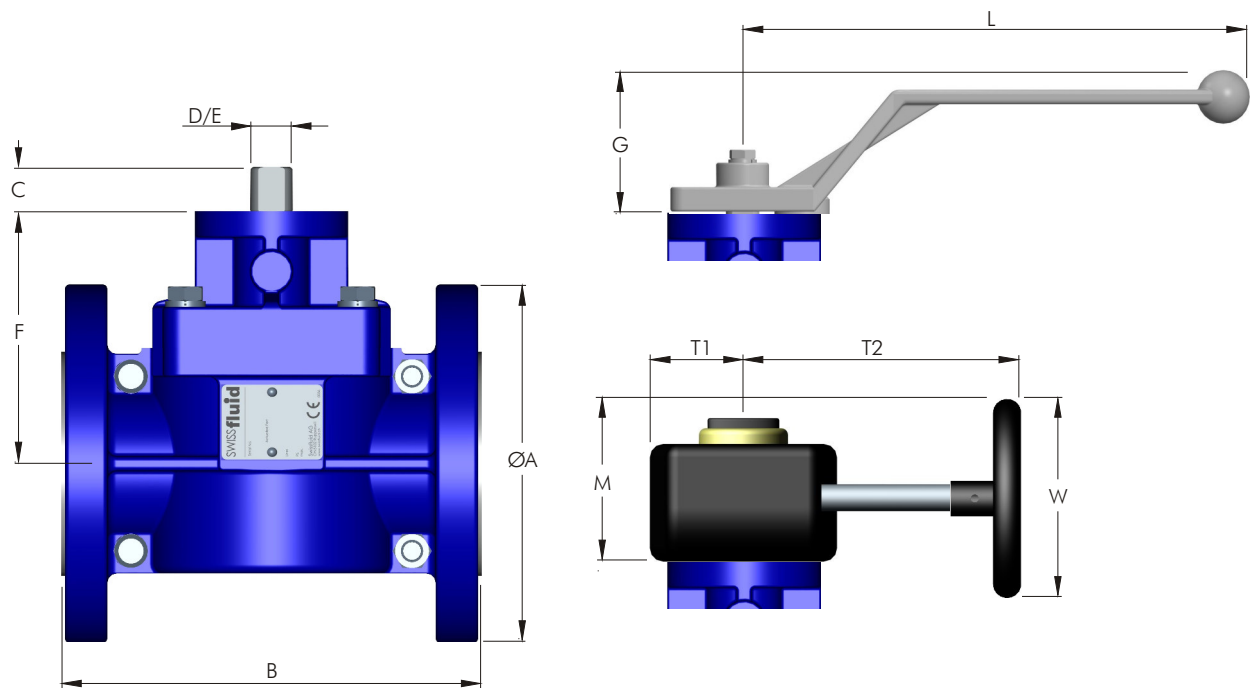
Operating Conditions

- Temperature range from -40°F up to +400°F, depending on lining material
- Pressure range from 0.01 psia up to 232 psi, depending on size/pressure/temperature

Testing / Marking

- Pressure- and tightness testing acc. to EN 12266-1, leakage rate A, resp. API 598.
- Marking of valves on body and name plate acc. to EN 19.
- Material- resp. test certificates acc. to EN 10204-3.1/2.2/2.1

Outline Drawing / Actuator Options



Dimensions inch

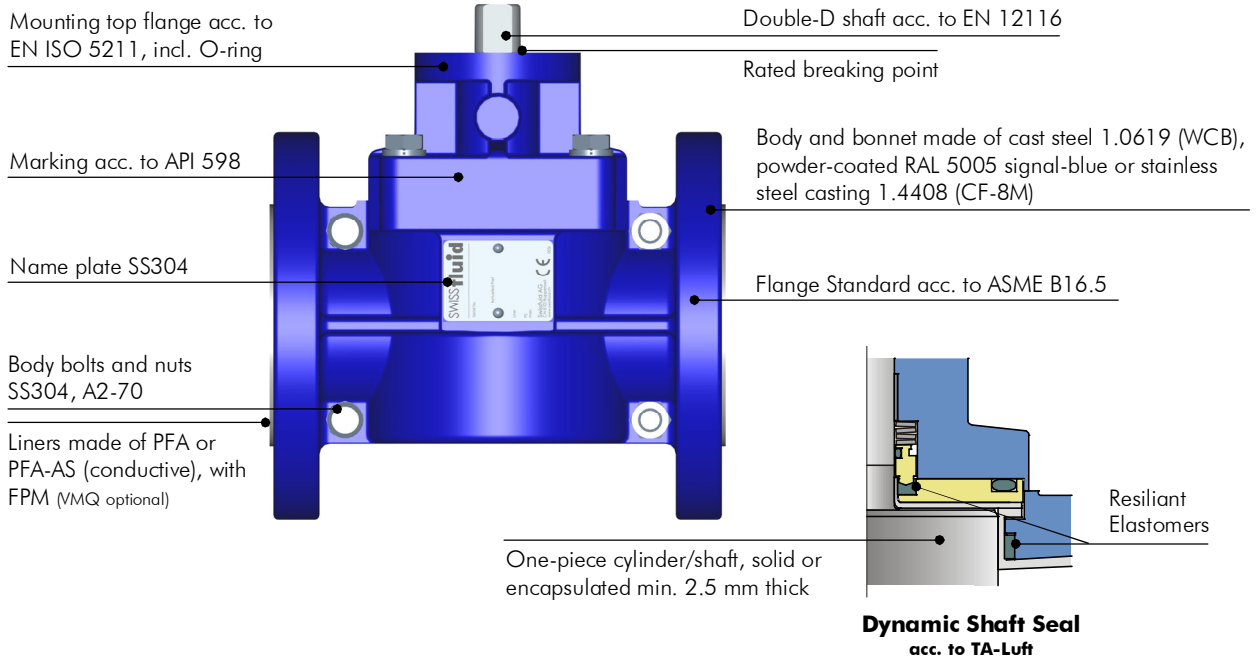
Weights lbs

Size nom.	ØA	B	C	D Dia.	E DD	F	G	L	M	T1	T2	W Dia.	ISO Top	Valve only	Lever only	Gear only
1/2"	3.74	5.12	0.75	0.55	0.43	3.39	2.28	8.31	3.54	2.28	4.33	4.92	F05	7.04	0.79	5.06
3/4"	4.13	5.91	0.75	0.55	0.43	3.50	2.28	8.31	3.54	2.28	4.33	4.92	F05	8.36	0.79	5.06
1"	4.25	5.00	0.75	0.55	0.43	3.62	2.28	8.31	3.54	2.28	4.33	4.92	F05	7.92	0.79	5.06
1 1/2"	5.00	6.50	0.75	0.71	0.55	4.02	2.28	9.88	3.54	2.28	4.33	4.92	F07	11.88	0.90	5.06
2"	6.00	7.00	0.75	0.71	0.55	4.21	2.28	9.88	3.54	2.28	4.33	4.92	F07	18.04	0.90	5.06
3" RP	7.50	8.00	0.75	0.71	0.55	4.21	2.28	9.88	3.54	2.28	4.33	4.92	F07	30.36	0.90	5.06
4" RP	9.00	9.00	0.94	0.94	0.67	5.39	2.44	12.40	5.00	2.28	7.87	7.87	F07	50.38	1.98	7.70
6" RP	11.00	10.50	0.94	0.94	0.67	5.79	-	-	5.00	2.28	7.87	7.87	F10	77.00	1.98	7.70

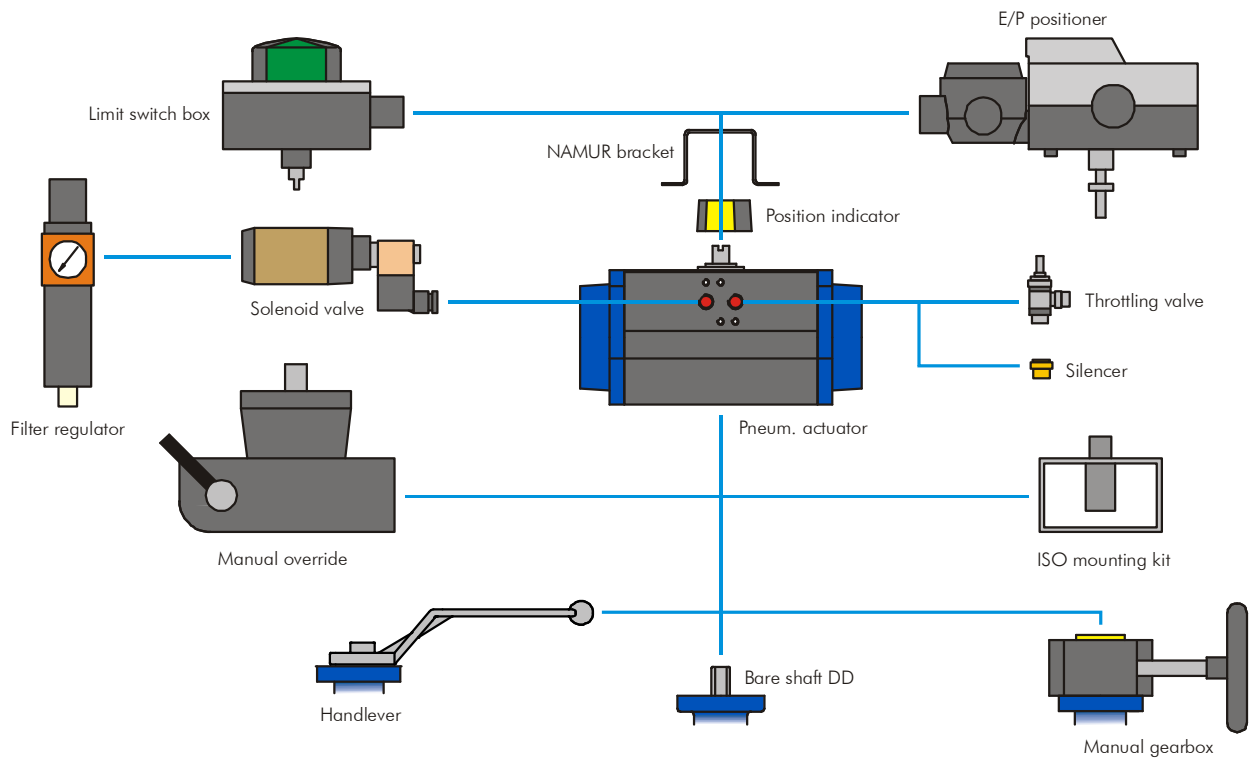
Face to face B acc. to ASME B16.10

SCP Cylindrical Plug Valves plastomer-lined

Construction of Valve

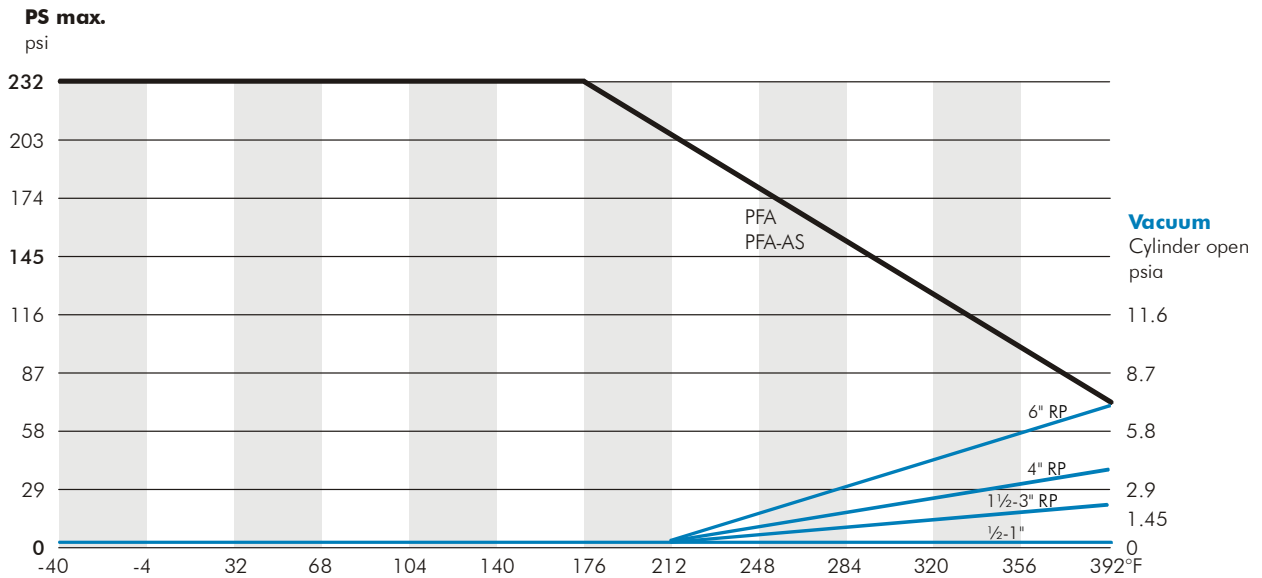


Mounting Options



SCP Cylindrical Plug Valves plastomer-lined

Pressure-/Temperature Diagram



Torque Values in-lbs

Torque values for PFA-encapsulated cylinder and PFA-liner

Size nom.	1/2"	3/4"	1"	1 1/2"	2"/3" RP	4" RP	6" RP
Torque nom.	142	195	248	372	487	974	1,859
max. allowable	1,283	1,283	1,283	2,832	2,832	6,195	6,195

• Stated values to be break-away torques without any consideration of safety factors for actuators.

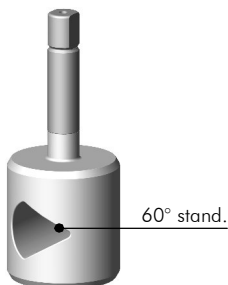
Flow Rate Values Cv usg/min.

Size nom.	1/2"	3/4"	1"	1 1/2"	2"/3" RP	4" RP	6" RP
Full Port Valve	18	36	70	216	321	930	1,425

Options

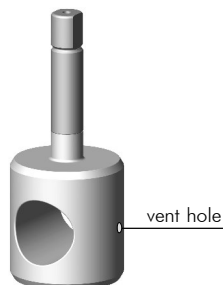
V-port Cylinder

for control applications, with various contours



Vented Cylinder

with drilled vent hole for upstream pressure relief



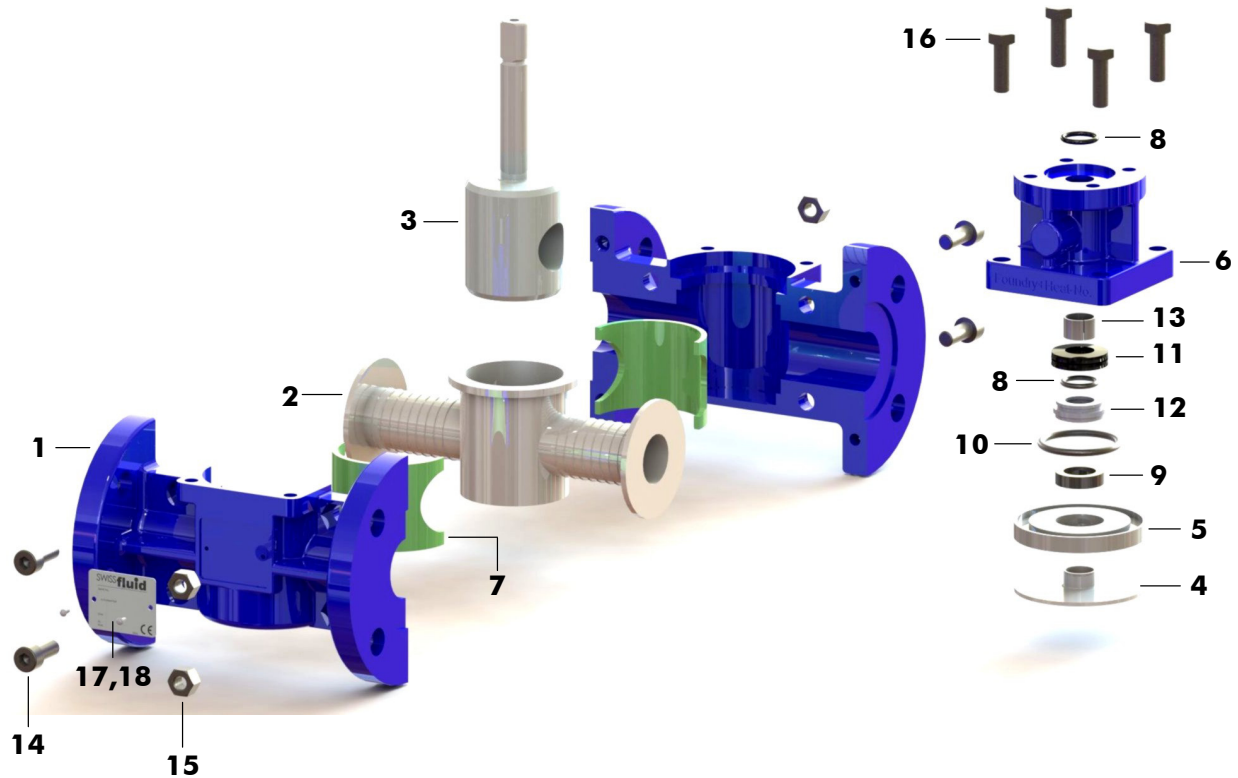
Typical Service Applications

- Chemical CPI
- Petro-Chemical
- Bio-Technical
- Pharmaceutical Industry
- Semi-Conductors
- Pulp and Paper
- Food Processing
- Paint and Pigments
- Fertilizers
- Textile Industry
- Mining and Steel

SCP Cylindrical Plug Valves plastomer-lined

Parts List
Manual Valve compl.

Standard Version (Picture showing Valve 2"-150lbs, PFA liner, PFA-encapsulated cylinder, bare shaft)



Item	Qty.	Description	Material	No.
1	1	Body two-piece, RAL 5005	WCB	1.0619
2	1	Liner	PFA	
3	1	Cylinder encapsulated	Duplex/PFA	1.4462
4	1	Diaphragm	PTFE	
5	1	Pressure Plate	Duplex	1.4462
6	1	Bonnet, RAL 5005	WCB	1.0619
7	2	Elastomer	FPM	
8	2	O-Ring top	FPM	
9	1	Shaft Seal Ring	FPM	
10	1	O-Ring	FPM	
11	4	Belleville Spring	Spring Steel	1.8159
12	1	Pressure Sleeve	SS316L	1.4404
13	1	Bearing DU	C.Steel/PTFE	
14	4	Socket Head Cap Screw	A2-70	1.4310
15	4	Hex. Nut	A2-70	1.4310
16	4	Hex. Head Screw	A2-70	1.4310
17	1	Name Plate 42 x 14 CE	A2	1.4301
18	2	Hammer Screw 2.49 x 4.76	A2	1.4310

SCP Cylindrical Plug Valves plastomer-lined

Specification

Project-/Customer Data

Inquiry/Date: _____

Ref. SF _____

Company:	Contact Person:	Phone:
Address:	Function:	Fax:
ZIP/Place:	Department:	E-mail:
Project:	Phone direct:	Mobile:

Operating Conditions

Media / Chemical Composition:

<input type="checkbox"/> liquid	<input type="checkbox"/> powdery	<input type="checkbox"/> crystallizing	<input type="checkbox"/> sticky	<input type="checkbox"/> Spec. Grav. _____
<input type="checkbox"/> gaseous	<input type="checkbox"/> Solids ____ %	<input type="checkbox"/> viscous	<input type="checkbox"/> Flow Velocity _____ ft/sec	
<input type="checkbox"/> abrasive	<input type="checkbox"/> Particle _____ mm	<input type="checkbox"/> Visc. _____ cp	<input type="checkbox"/> Flow Rate _____ usg/min	

Pressure

max. _____ bar

min. _____ bar

Temperature

max. _____ °C

min. _____ °C

Mode

On/Off

Flow Control

____ cycles/ ____

Installation / Environment

horizontal

vertical

Room dry

Room humid

outdoor

Remarks: _____

SCP Product Code

Specification of a complete Cylindrical Plug Valve SCP Series

Product code	Nom. size	Flange conn.	Body	Lining body	Elastomer	Cylinder encaps./solid	Shaft end	Options																																						
SCP	2"	150#	G10	A85	E67	U85	DD																																							
	<table border="1"> <tr><td>1/2" - 2"</td></tr> <tr><td>3"RP - 6"RP</td></tr> <tr><td>DN15 - 100</td></tr> </table>	1/2" - 2"	3"RP - 6"RP	DN15 - 100	<table border="1"> <tr><td>ANSI150#</td></tr> <tr><td>ANSI300#</td></tr> <tr><td>PN16</td></tr> <tr><td>JIS 10K</td></tr> </table>	ANSI150#	ANSI300#	PN16	JIS 10K	<table border="1"> <tr><td>G10 WCB</td></tr> <tr><td>G15 CF-8M</td></tr> <tr><td>—</td></tr> </table>	G10 WCB	G15 CF-8M	—	<table border="1"> <tr><td>A85 PFA</td></tr> <tr><td>A86 PFA-AS</td></tr> <tr><td>—</td></tr> </table>	A85 PFA	A86 PFA-AS	—	<table border="1"> <tr><td>E60 EPDM</td></tr> <tr><td>E67 FPM</td></tr> <tr><td>E68 VMQ</td></tr> <tr><td>—</td></tr> </table>	E60 EPDM	E67 FPM	E68 VMQ	—	<table border="1"> <tr><td>U85 PFA</td></tr> <tr><td>U86 PFA-AS</td></tr> <tr><td>U88 PVDF</td></tr> <tr><td>U89 PP</td></tr> <tr><td>U91 ETFE</td></tr> <tr><td>S32 SS316L</td></tr> <tr><td>S40 Tit. Gr.2</td></tr> <tr><td>S41 Tit. Gr.7</td></tr> <tr><td>S43 Hast. C-276</td></tr> <tr><td>—</td></tr> </table>	U85 PFA	U86 PFA-AS	U88 PVDF	U89 PP	U91 ETFE	S32 SS316L	S40 Tit. Gr.2	S41 Tit. Gr.7	S43 Hast. C-276	—	<table border="1"> <tr><td>DD DD drive</td></tr> <tr><td>SP SQ parallel</td></tr> <tr><td>SR SQ 45° rot.</td></tr> <tr><td>—</td></tr> </table>	DD DD drive	SP SQ parallel	SR SQ 45° rot.	—	<table border="1"> <tr><td>Vp60 60° V-port</td></tr> <tr><td>Vh vented cylinder</td></tr> <tr><td>B7 B7 body bolts</td></tr> <tr><td>Ti Ti body bolts</td></tr> <tr><td>RAL... special paint</td></tr> <tr><td>—</td></tr> <tr><td>—</td></tr> </table>	Vp60 60° V-port	Vh vented cylinder	B7 B7 body bolts	Ti Ti body bolts	RAL... special paint	—	—
1/2" - 2"																																														
3"RP - 6"RP																																														
DN15 - 100																																														
ANSI150#																																														
ANSI300#																																														
PN16																																														
JIS 10K																																														
G10 WCB																																														
G15 CF-8M																																														
—																																														
A85 PFA																																														
A86 PFA-AS																																														
—																																														
E60 EPDM																																														
E67 FPM																																														
E68 VMQ																																														
—																																														
U85 PFA																																														
U86 PFA-AS																																														
U88 PVDF																																														
U89 PP																																														
U91 ETFE																																														
S32 SS316L																																														
S40 Tit. Gr.2																																														
S41 Tit. Gr.7																																														
S43 Hast. C-276																																														
—																																														
DD DD drive																																														
SP SQ parallel																																														
SR SQ 45° rot.																																														
—																																														
Vp60 60° V-port																																														
Vh vented cylinder																																														
B7 B7 body bolts																																														
Ti Ti body bolts																																														
RAL... special paint																																														
—																																														
—																																														

Note: Actuator options and accessories to be specified on orders separately.

По вопросам продаж и поддержки обращайтесь:
 Волгоград (844)278-03-48, Воронеж (473)204-51-73, Екатеринбург (343)384-55-89, Казань(843)206-01-48,
 Краснодар(861)203-40-90, Красноярск(391)204-63-61, Москва(495)268-04-70, Нижний Новгород(831)429-08-12,
 Новосибирск(383)227-86-73, Ростов-на-Дону(863)308-18-15, Самара(846)206-03-16,
 Санкт-Петербург(812)309-46-40, Саратов(845)249-38-78, Уфа(347)229-48-12,
 Единый адрес: swd@nt-rt.ru