

SDV Diaphragm Valves plastomer-lined

1/2" – 8"

SDV Diaphragm Valves are ideally suited for Shut-off, Flow Control and Throttling of corrosive and abrasive process media in either liquid or gaseous state.

Modular Design

Valves are available with handwheel for manual operation as per standard.

The sturdy design bodies are made of cast steel 1.0619 (WCB), epoxy coating RAL 5005 signal-blue or stainless steel casting 1.4408 (CF-8M), with resistant linings such as PFA or PFA-AS (conductive).

Proven PTFE/EPDM-diaphragms assure faultless closing function at any time.



Main Features

- Heavy-duty, robust construction, maintenance-free
- Bubble-tight shut-off throughout the full pressure and temperature range
- Spindle protected against atmospheric corrosion
- Force limiting device protecting diaphragm from cold flow and other deformations, high life cycle
- Yellow sight indicator showing actual position of diaphragm
- Easy replacement of components on site
- Flanges acc. to ANSI 150lbs (option: DIN standards) for installation into existing piping systems

 **Conformity according to European Pressure Equipment Directive 97/23/EC (PED)**

Options



Sliding Spindle

Body WCB/PFA, for external actuators



Automated Valve

Body CF-8M/PFA, with pneum. actuator, el. position indicator and solenoid valve



Limit Switch Box



Safety Padlock

SDV Diaphragm Valves plastomer-lined

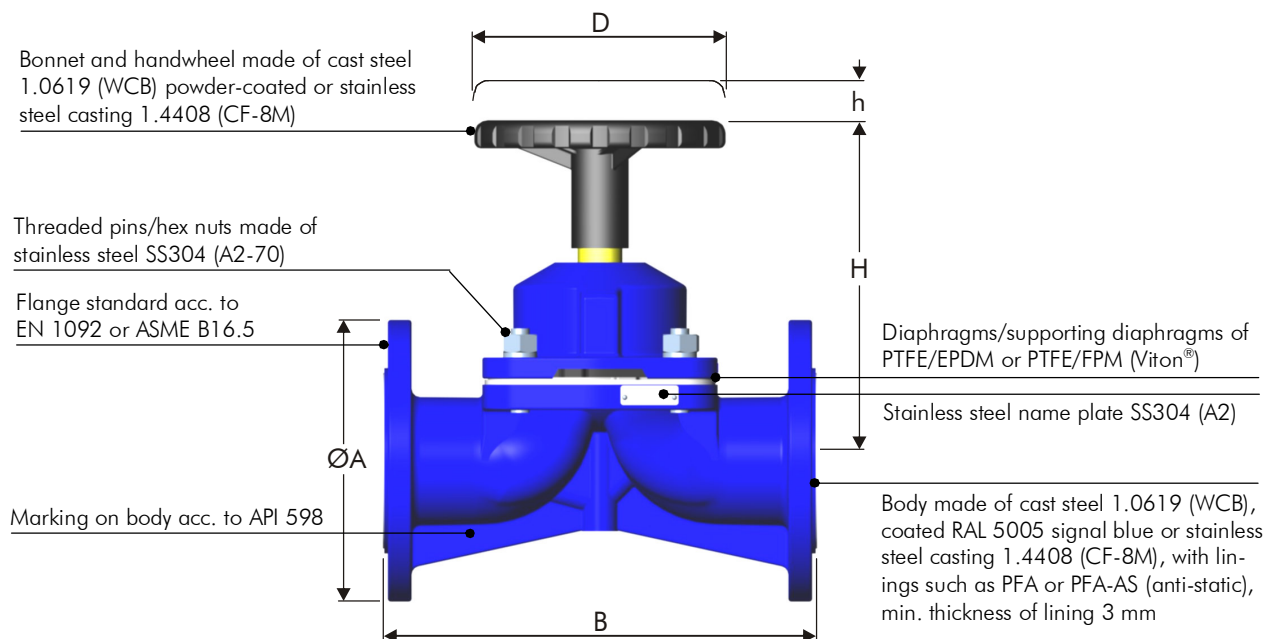
Operating Conditions

- Temperature range from -22°F up to +302°F, depending on lining material
- Pressure range from 0.19 psia up to 232 psi, depending on size

Testing / Marking

- Pressure- and tightness testing acc. to EN 12266-1, leakage rate A, resp. API 598.
- Marking of valves on body and name plate acc. to EN 19.
- Material- resp. test certificates acc. to EN 10204-3.1/2.2/2.1

Construction of Valve



Dimensions inch

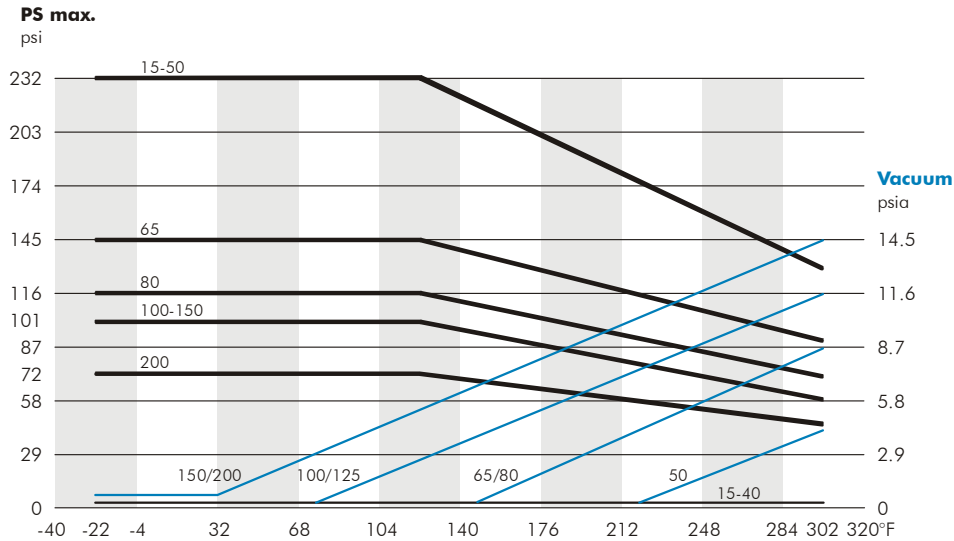
Size nom.	ØA	B	D	H	h Stroke	Revol. per stroke	Weight lbs	PS max. psi	Cv-Value max. (usg/min)
1/2"	3.74	5.12	3.35	4.53	0.31	4.5	5.50	232	9
3/4"	4.13	5.91	3.35	4.61	0.31	4.5	6.60	232	12
1"	4.25	5.75	3.35	4.88	0.39	5.5	7.70	232	17
1 1/4"	5.50	7.09	3.35	5.28	0.47	7.0	11.44	232	26
1 1/2"	5.00	6.85	4.72	6.81	0.94	12.0	13.86	232	43
2"	6.00	7.87	4.72	7.32	1.18	15.0	19.80	232	75
2 1/2"	7.28	11.42	7.09	8.19	1.18	12.0	29.70	145	110
3"	7.50	10.24	7.09	9.17	1.34	13.5	37.18	116	155
4"	9.00	12.87	9.84	11.10	1.57	13.5	66.66	102	232
5"	9.84	15.75	9.84	13.58	2.05	17.5	94.60	102	371
6"	11.00	16.38	15.75	16.22	2.36	15.0	130.90	102	524
8" ¹⁾	13.38	23.62	15.75	19.25	3.54	22.5	268.40	73	754

Face to face B acc. to MSS SP-88 (1/2", 3/4", 1 1/4", 2 1/2", 5", 8" acc. to EN 558-1 range 1

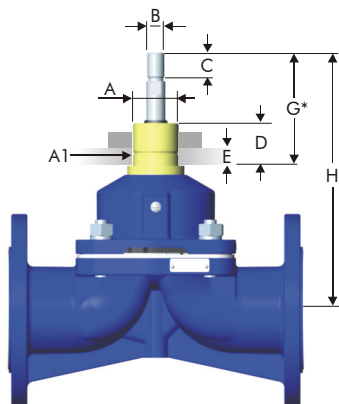
¹⁾ above PS max. 3 bar: supplier to be contacted

SDV Diaphragm Valves plastomer-lined

Pressure-/Temperature Diagram



Options



Type Ss
Bonnet with sliding spindle for easy actuation with pneumatic or electric actuators (not suitable for Swissfluid type actuators)



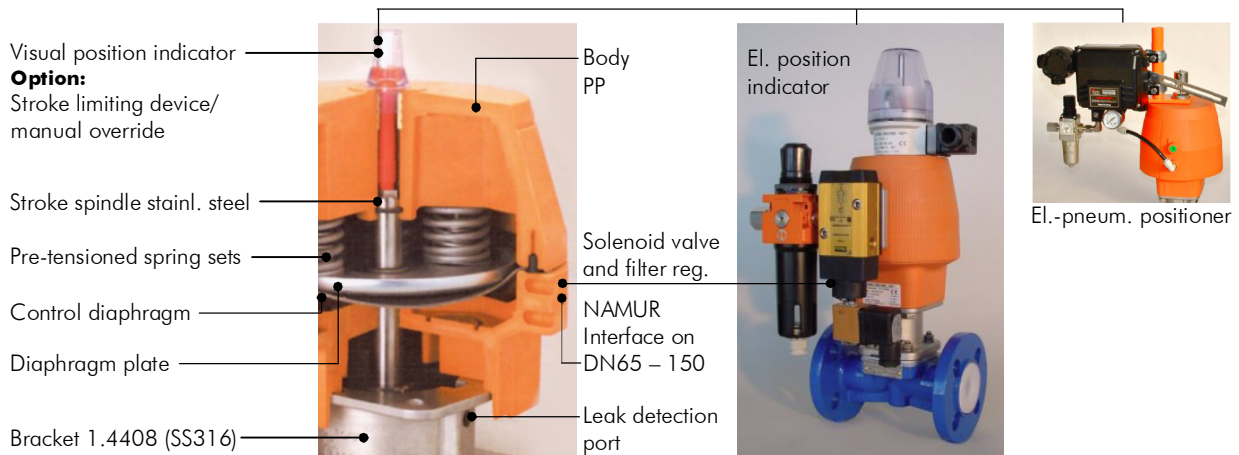
Bonnet Type Stroke Actuator
optional with limit switch box and filter regulator, E/P positioner, solenoid valve

Dimensions inch

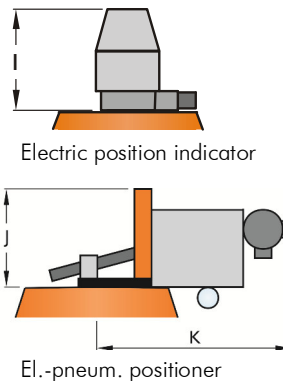
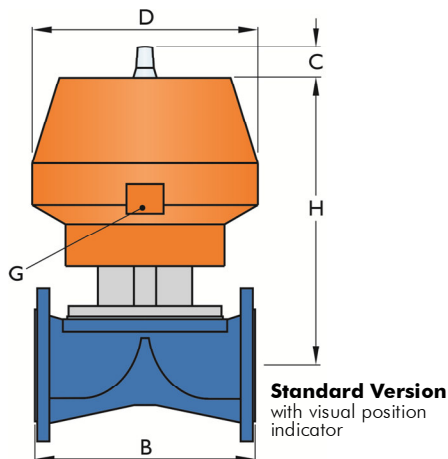
Size nom.	A	A1	B	C	D	E	G Valve closed	H	PS max. psi	Closing Forces lbf
1/2"	M30x1.5	1.26	M12	1.02	1.02	0.39	4.33	6.61	232	182
3/4"	M30x1.5	1.26	M12	1.02	1.02	0.39	4.33	6.69	232	232
1"	M30x1.5	1.26	M12	1.02	1.02	0.39	4.33	7.05	232	288
1 1/4"	M30x1.5	1.26	M12	1.02	1.02	0.39	4.33	7.48	232	352
1 1/2"	M40x1.5	1.57	M16	1.10	1.38	0.47	4.33	8.19	232	431
2"	M40x1.5	1.57	M16	1.10	1.38	0.47	4.33	8.70	232	595
2 1/2"	M48x1.5	1.89	M18x1.5	1.38	1.50	0.47	4.33	9.13	145	765
3"	M48x1.5	1.89	M18x1.5	1.38	1.50	0.47	4.33	10.12	116	905
4"	M52x1.5	2.05	M24x2	1.38	1.50	0.47	4.33	11.42	102	1,130
5"	M52x1.5	2.05	M24x2	1.38	1.50	0.47	4.33	12.01	102	1,690
6"	M62x1.5	2.44	M30x2	1.38	1.50	0.47	4.33	14.06	102	3,310
8"	M62x1.5	2.44	M30x2	1.38	1.50	0.47	4.33	17.01	73	4,300

SDV Diaphragm Valves plastomer-lined

Construction of Linear Stroke Actuator Sectional view and accessories



Mounting Options Dimensions inch



Accessories

- Electric position indicator
- Adapter mounting kit
must be applied if valve with stroke limiter and manual override is combined with an electric position indicator
- Stroke limiter/manual override
- Mounting flange kit for positioner
- Electro-pneum. positioner
- 3/2-way solenoid valve for single-acting actuators
- 5/2-way solenoid valve for double-acting actuators
- Pneum. positioner
- NAMUR adapter plate

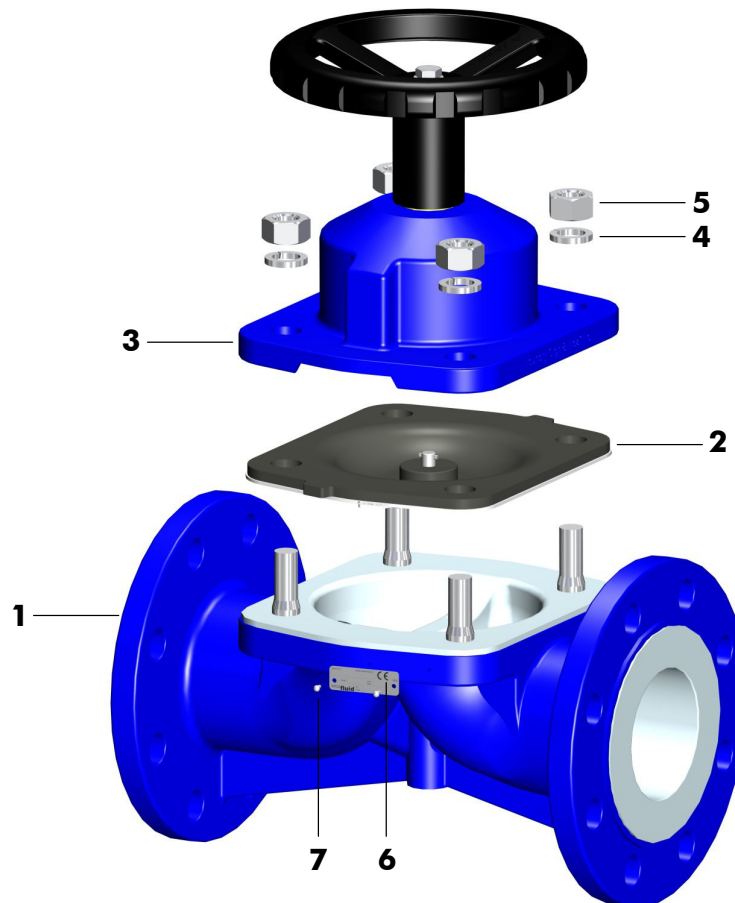
Size nom.	B	C	D	G	H	I	J	K	Weight lbs
1/2"	5.12	0.89	3.78	1/8"	8.31	3.94	6.30	11.42	10.56
3/4"	5.91	0.89	3.78	1/8"	8.39	3.94	6.30	11.42	11.66
1"	5.75	0.89	3.78	1/8"	8.94	3.94	6.30	11.42	13.42
1 1/4"	7.09	1.40	4.72	1/8"	9.96	3.94	6.30	11.42	17.16
1 1/2"	6.85	1.40	5.91	1/4"	11.18	3.94	6.30	11.42	28.16
2"	7.87	1.40	5.91	1/4"	11.89	3.94	6.30	11.42	33.66
2 1/2"	11.42	1.81	11.02	1/8"	14.41	5.08	6.30	11.42	43.56
3"	10.24	1.81	11.02	1/8"	14.69	5.08	6.30	11.42	69.74
4"	12.87	1.81	13.19	1/8"	17.64	5.08	6.30	11.42	103.40
5"	15.75	1.81	13.19	1/8"	20.98	5.08	6.30	11.42	132.00
6"	16.38	1.81	13.19	1/8"	24.41	5.08	6.30	11.42	170.50
8"	23.62	-	-	-	-	-	-	-	-

Standard Version w/o stroke limiter and manual override

SDV Diaphragm Valves plastomer-lined

Parts List
Manual Valve compl.

Standard Version (Picture showing DN 80 PN16, PFA-lined, with handwheel)



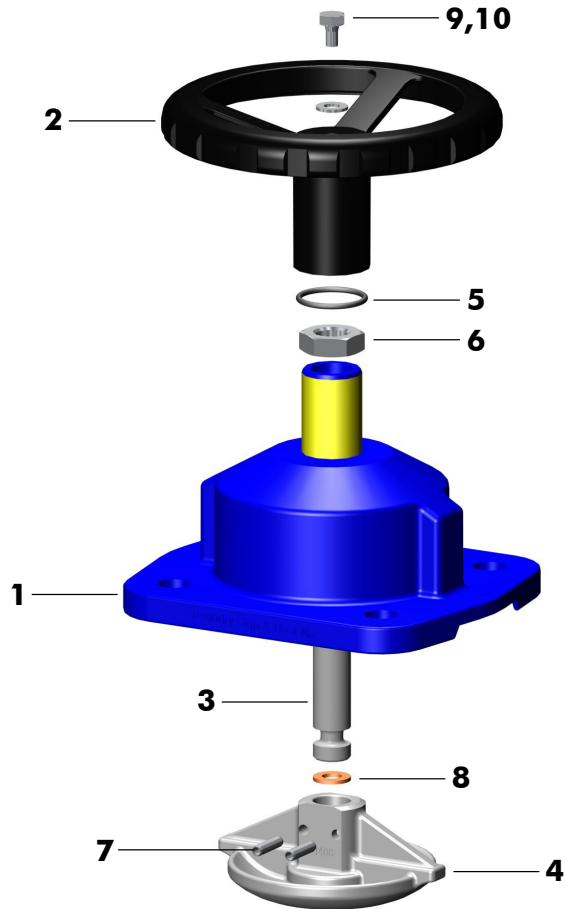
Item	Qty.	Description	Material	No.
1	1	Body PFA-lined, RAL 5005	WCB	1.0619
2	1	Diaphragm complete	PTFE/EPDM	
3	1	Bonnet complete RAL 5005, with handwheel RAL 9004	WCB	1.0619
4	4	Spring Washer	A2	1.4310
5	4	Hex. Nut	A2-70	1.4310
6	1	Name Plate 42 x 14 CE	A2	1.4301
7	2	Hammer Screw 2.49 x 4.76	A2	1.4310

SDV Diaphragm Valves plastomer-lined

Parts List

Bonnet compl.

Standard Version (Picture showing DN 80, with handwheel)



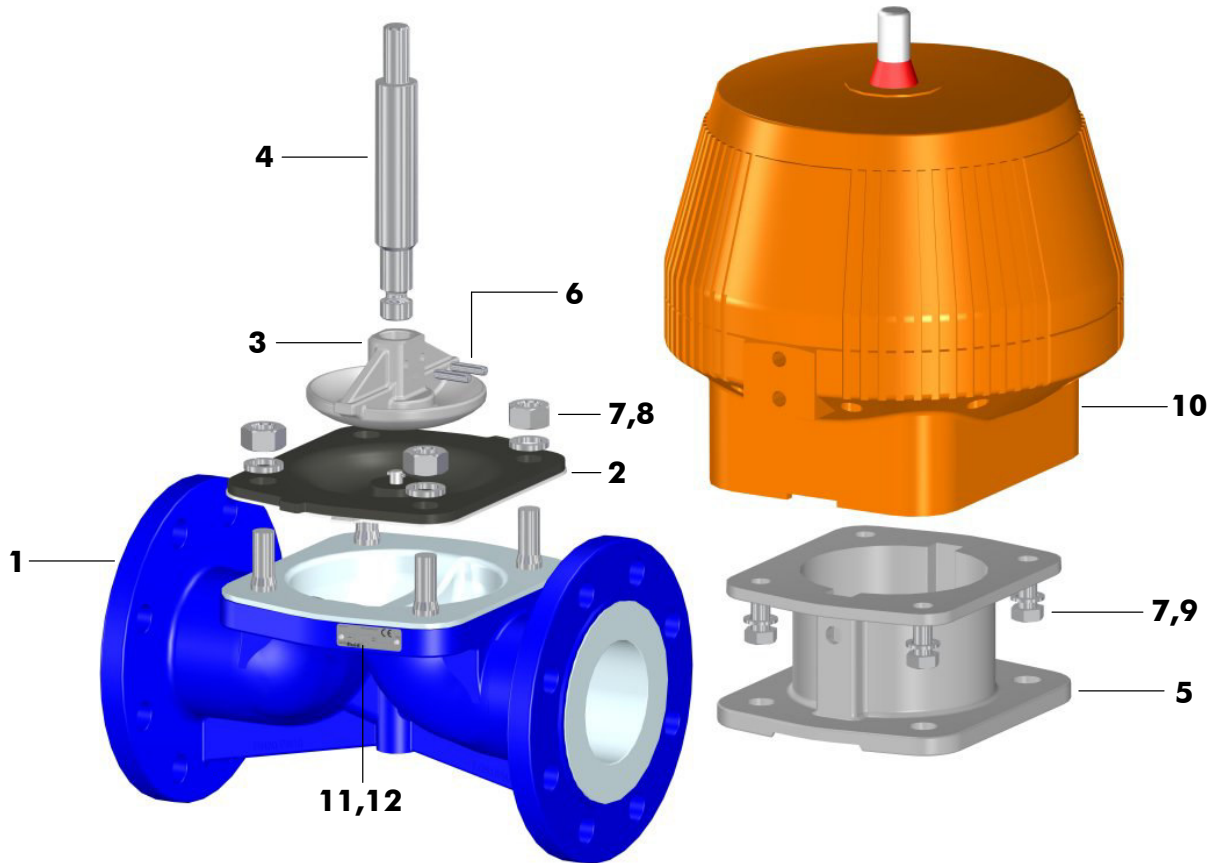
Item	Qty.	Description	Material	No.
1	1	Bonnet, RAL 5005	WCB	1.0619
2	1	Handwheel, RAL 9004	WCB	1.0619
3	1	Spindle	A2	1.4021
4	1	Compressor Plug Bayonet	CF-8M	1.4408
5	1	O-Ring Handwheel	NBR	
6	1	Hex. Nut	A2	1.4310
7	2	Spring Tension Pin	A2	1.4310
8	1	Spacer	Ms60Pb	2.0371
9	1	Spring Washer	A2	1.4310
10	1	Hex. Head Screw	A2-70	1.4310

SDV Diaphragm Valves plastomer-lined

Parts List

Automated Valve compl.

Standard Version (Picture showing DN 80 PN16, PFA-lined, with pneum. actuator incl. visual position indicator)



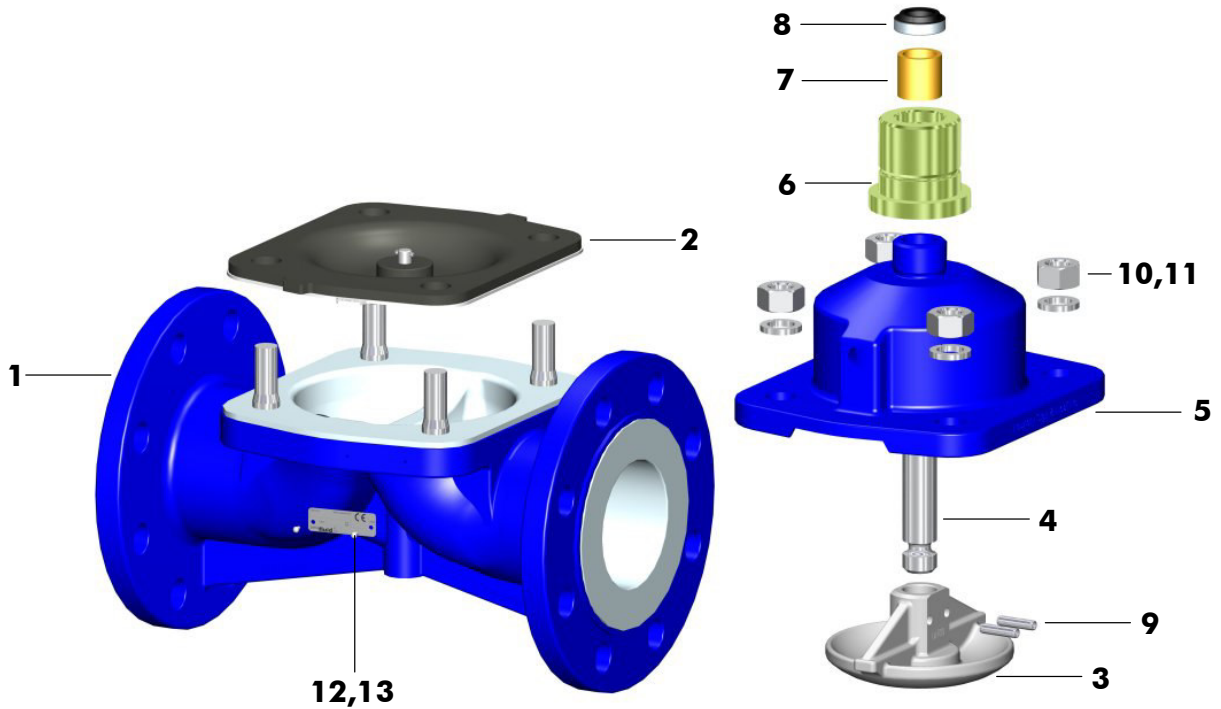
Item	Qty.	Description	Material	No.
1	1	Body PFA-lined, RAL 5005	WCB	1.0619
2	1	Diaphragm complete	PTFE/EPDM	
3	1	Compressor Plug Bayonet	CF-8M	1.4408
4	1	Actuator Spindle	A2	1.4021
5	1	Bracket	CF-8M	1.4408
6	2	Spring Tension Pin	A2	1.4310
7	8	Lock Washer	A2	1.4310
8	4	Hex. Nut	A2-70	1.4310
9	4	Hex. Head Screw	A2-70	1.4310
10	1	Pneumatic Linear Stroke Actuator	PP	SPA-L
11	1	Name Plate 42 x 14 CE	A2	1.4301
12	2	Hammer Screw 2.49 x 4.76	A2	1.4310

SDV Diaphragm Valves plastomer-lined

Parts List

Valve compl.

Standard Version (Picture showing DN 80 PN16, PFA-lined, with sliding spindle)



Item	Qty.	Description	Material	No.
1	1	Body PFA-lined, RAL 5005	WCB	1.0619
2	1	Diaphragm complete	PTFE/EPDM	
3	1	Compressor Plug Bayonet	CF-8M	1.4408
4	1	Sliding Spindle	A2	1.4021
5	1	Bonnet, RAL 5005	WCB	1.0619
6	1	Threaded Bushing	C.St/galv.	1.0737
7	1	Bushing	Bronze	
8	1	Scraper	St/Nitrile	
9	2	Spring Tension Pin	A2	1.4310
10	4	Lock Washer	A2	1.4310
11	4	Hex. Nut	A2-70	1.4310
12	1	Name Plate 42 x 14 CE	A2	1.4301
13	2	Hammer Screw 2.49 x 4.76	A2	1.4310

SDV Diaphragm Valves plastomer-lined

Specification

Project-/Customer Data

Ref. SF

Company:	Contact Person:	Phone:
Address:	Function:	Fax:
ZIP/Place:	Department:	E-mail:
Project:	Phone direct:	Mobile:

Operating Conditions

Media / Chemical Composition:

<input type="checkbox"/> liquid	<input type="checkbox"/> powdery	<input type="checkbox"/> crystallizing	<input type="checkbox"/> sticky	<input type="checkbox"/> Spec. Grav. ____
<input type="checkbox"/> gaseous	<input type="checkbox"/> Solids ____ %	<input type="checkbox"/> viscous	<input type="checkbox"/> Flow Velocity ____ ft/sec	
<input type="checkbox"/> abrasive	<input type="checkbox"/> Particle ____ mm	<input type="checkbox"/> Visc. ____ cp	<input type="checkbox"/> Flow Rate ____ usg/min	

Pressure

max. ____ bar

min. ____ bar

Temperature

max. ____ °C

min. ____ °C

Mode

On/Off

Flow Control

____ cycles/ ____

Installation / Environment

horizontal

vertical

Room dry

Room humid

outdoor

Remarks:

SDV Product Code

Specification of a complete Diaphragm Valve SDV Series

Product code	Nom. size	Flange conn.	Body	Lining	Diaphragm/ supp. diaphragh.	Actuator	Options
SDV	4"	150#	G10	A85	M84	HW	
	1/2" - 8" DN15 - 150 DN200	ANSI150# ANSI300# PN16 PN10 JIS 10K	G10 WCB G15 CF-8M	A85 PFA A86 PFA-AS A88 PVDF A89 PP A91 ETFE	M83 PTFE/FPM M84 PTFE/EPDM M60 EPDM	HW Handwheel FC Pneum. FC FO Pneum. FO DA Pneum. DA Ss Sliding stem	RAL... special paint B7 B7 body bolts

Note: Actuator options and accessories to be specified on orders separately.

По вопросам продаж и поддержки обращайтесь:
 Волгоград (844)278-03-48, Воронеж (473)204-51-73, Екатеринбург (343)384-55-89, Казань(843)206-01-48,
 Краснодар(861)203-40-90, Красноярск(391)204-63-61, Москва(495)268-04-70, Нижний Новгород(831)429-08-12,
 Новосибирск(383)227-86-73, Ростов-на-Дону(863)308-18-15, Самара(846)206-03-16,
 Санкт-Петербург(812)309-46-40, Саратов(845)249-38-78, Уфа(347)229-48-12,
 Единый адрес: swd@nt-rt.ru