

По вопросам продаж и поддержки обращайтесь:  
Волгоград (844)278-03-48, Воронеж (473)204-51-73, Екатеринбург (343)384-55-89, Казань(843)206-01-48,  
Краснодар(861)203-40-90, Красноярск(391)204-63-61, Москва(495)268-04-70, Нижний Новгород(831)429-08-12,  
Новосибирск(383)227-86-73, Ростов-на-Дону(863)308-18-15, Самара(846)206-03-16,  
Санкт-Петербург(812)309-46-40, Саратов(845)249-38-78, Уфа(347)229-48-12,  
Единый адрес: swd@nt-rt.ru

www.swissfluid.nt-rt.ru

**SWISS** fluid

## SSP Sight Glasses plastomer-lined

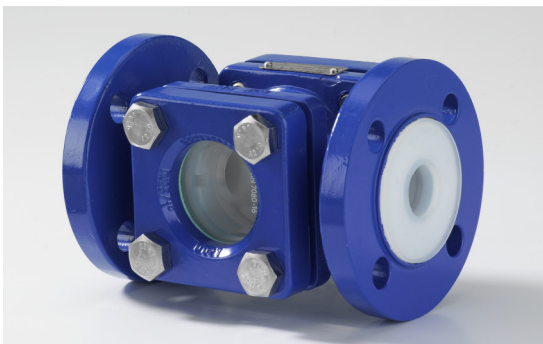
**1/2" – 6"**

SSP Sight Glasses are ideally suited as reliable flow indicators for virtually all existing process media in either liquid or even gaseous state.

### Modular Design

The Sight Glasses are available with glass window plates made of Borosilicate acc. to DIN 7080 as per standard.

The sturdy design bodies are made of cast steel 1.0619 (WCB), coating RAL 5005 signal-blue or stainless steel casting 1.4408 (CF-8M), with resistant linings such as PFA or PFA-AS (conductive).



**SSP**  
Body 1.0619 (WCB)/PFA

### Main Features

- Heavy-duty, proven construction - maintenance-free
- Horizontal or vertical installation, flange connection acc. to ANSI 150lbs (DIN optional)
- No need of additional flange gaskets due to wide and chambered flange sealing surface
- Standard drip ledge indicating even minute flows
- Large observation opening

**CE** Conformity according to European  
Pressure Equipment Directive 97/23/EC (PED)

### Options

- Metal reinforced glass plates
- Quartz glasses
- FEP glass protection sheet
- Visual flow indicator for gases (PTFE ribbon)

## SSP Sight Glasses plastomer-lined

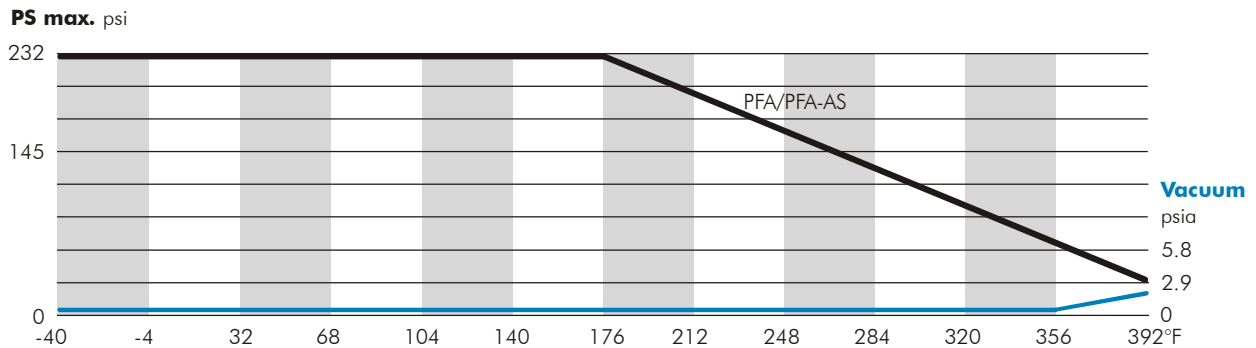
### Operating Conditions

- Temperature range from -40°F up to +400°F, depending on lining material
- Pressure range from 0.01 psia up to 232 psi, depending on size/pressure/temperature

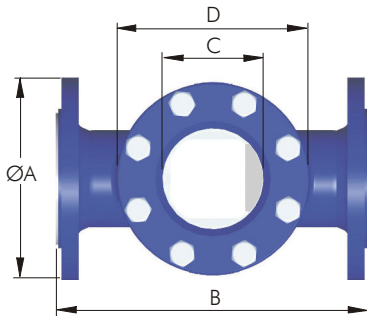
### Testing / Marking

- Pressure- and tightness testing acc. to EN 12266-1, leakage rate A, resp. API 598.
- Marking of valves on body and name plate acc. to EN 19.
- Material- resp. test certificates acc. to EN 10204-3.1/2.2/2.1

### Pressure-/Vacuum/Temperature Diagram



### Technical Data



#### Standard Materials of Components

<b>Body</b>	Cast Steel 1.0619 (WCB) 5005 epoxy
<b>Flange</b>	Cast Steel 1.0619 (WCB) 5005 epoxy
<b>Lining</b>	PFA (opt. PFA-AS conductive)
<b>Glass Plate</b>	Borosilicate 8488 acc. to DIN 7080
<b>Gasket</b>	C-4400 asbestos-free
<b>Bolts</b>	SS304

### Dimensions inch

Size nom.	1/2"	3/4"	1"	1 1/2"	2"	2 1/2"	3"	4"	6"
<b>ØA</b>	3.74	4.13	4.25	5.00	6.00	7.00	7.50	9.00	11.00
<b>B</b>	5.12	5.91	6.00	7.00	8.00	8.50	9.50	11.50	14.00
<b>ØC</b>	1.30	1.30	1.89	2.56	3.15	3.15	3.94	4.92	7.87
<b>D</b>	□2.76	□2.76	□3.35	□4.33	□4.72	Ø6.89	Ø7.48	Ø8.27	Ø11.42
<b>ØGlass</b>	1.77x0.39	1.77x0.39	2.48x0.39	3.15x0.47	3.94x0.59	3.94x0.47	4.92x0.79	5.90x0.98	8.86x1.18
<b>Weight lbs</b>	7.92	9.24	11.00	16.72	25.96	40.48	55.00	99.88	122.54

F/F acc. to ASME B16.10, other sizes and materials upon request

Body flanges: 2 1/2" and 3" ANSI with tapped holes 5/8" UNC, 6" ANSI with threaded holes 3/4" UNC

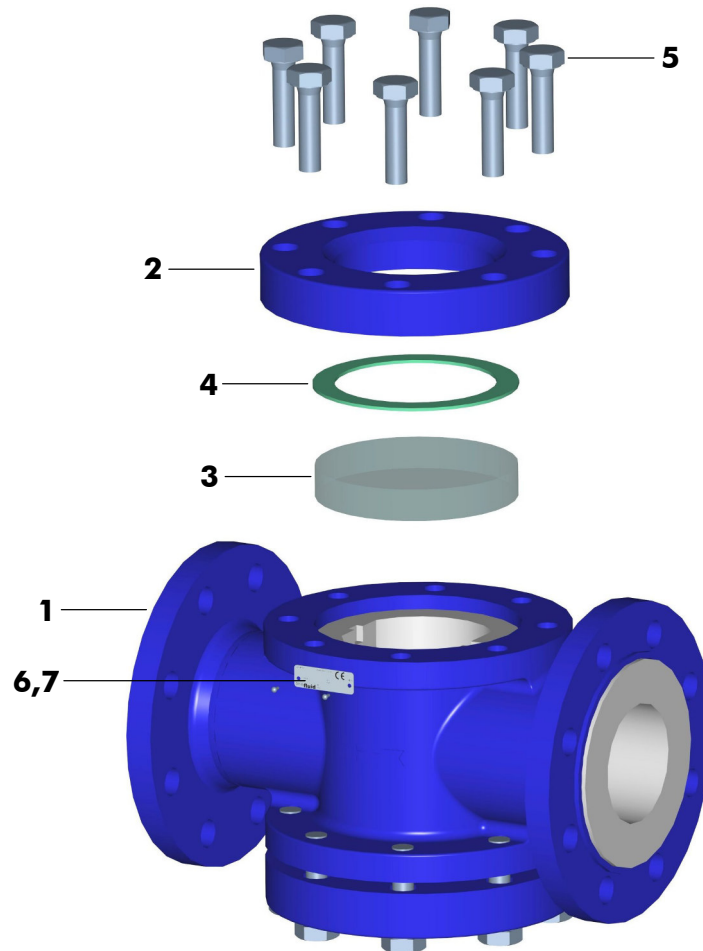
F/F options: 2 1/2", 3" and 6" available with DIN lengths

**SSP Sight Glasses** plastomer-lined

Parts List

Sight Glass compl.

**Standard Version** (Picture showing DN 80 PN16, PFA-lined)



Item	Qty.	Description	Material	No.
1	1	Body PFA-lined, RAL 5005	WCB	1.0619
2	2	Flange, RAL 5005	WCB	1.0619
3	2	Glass Plate DIN 7080	Borosilicate	8488
4	2	Gasket	C-4400	
5	16	Hex. Head Screw	A2-70	1.4310
6	1	Name Plate 42 x 14 CE	A2	1.4301
7	2	Hammer Screw 2.49 x 4.76	A2	1.4310

## SSP Sight Glasses plastomer-lined

Specification

### Project-/Customer Data

Inquiry/Date: \_\_\_\_\_

Ref. SF \_\_\_\_\_

Company:	Contact Person:	Phone:
Address:	Function:	Fax:
ZIP/Place:	Department:	E-mail:
Project:	Phone direct:	Mobile:

### Operating Conditions

#### Media / Chemical Composition:

<input type="checkbox"/> liquid	<input type="checkbox"/> powdery	<input type="checkbox"/> crystallizing	<input type="checkbox"/> sticky	<input type="checkbox"/> Spec. Grav. _____
<input type="checkbox"/> gaseous	<input type="checkbox"/> Solids ____ %	<input type="checkbox"/> viscous	<input type="checkbox"/> Flow Velocity _____ ft/sec	
<input type="checkbox"/> abrasive	<input type="checkbox"/> Particle ____ mm	<input type="checkbox"/> Visc. _____ cp	<input type="checkbox"/> Flow Rate _____ usg/min	

#### Pressure

max. \_\_\_\_ bar

min. \_\_\_\_ bar

#### Temperature

max. \_\_\_\_ °C

min. \_\_\_\_ °C

#### Mode

On/Off

Flow Control

\_\_\_\_ cycles/ \_\_\_\_

#### Installation / Environment

horizontal

vertical

\_\_\_\_\_

Room dry

Room humid

outdoor

Remarks: \_\_\_\_\_

### SSP Product Code

Specification of a complete Sight Glass SSP Series

Product code	Nom. size	Flange conn.	Body	Lining body	Glass plate	Options
<b>SSP</b>	<b>2"</b>	<b>150#</b>	<b>G10</b>	<b>A85</b>	<b>Gb</b>	
	<input type="checkbox"/> ½" - 6" <input type="checkbox"/> DN15 - 150	<input type="checkbox"/> ANSI150# <input type="checkbox"/> ANSI300# <input type="checkbox"/> PN16 <input type="checkbox"/> PN40 <input type="checkbox"/> JIS 10K	<input type="checkbox"/> G10 WCB <input type="checkbox"/> G15 CF-8M	<input type="checkbox"/> A85 PFA <input type="checkbox"/> A86 PFA-AS	<input type="checkbox"/> Gb Glass plate PN16 <input type="checkbox"/> Gb40 Glass plate PN40 <input type="checkbox"/> Gr reinforced glass <input type="checkbox"/> Gq Quartz glass	<input type="checkbox"/> Op visual flow ind. <input type="checkbox"/> RAL... special paint

По вопросам продаж и поддержки обращайтесь:

Волгоград (844)278-03-48, Воронеж (473)204-51-73, Екатеринбург (343)384-55-89, Казань(843)206-01-48,  
 Краснодар(861)203-40-90, Красноярск(391)204-63-61, Москва(495)268-04-70, Нижний Новгород(831)429-08-12,  
 Новосибирск(383)227-86-73, Ростов-на-Дону(863)308-18-15, Самара(846)206-03-16,  
 Санкт-Петербург(812)309-46-40, Саратов(845)249-38-78, Уфа(347)229-48-12,  
 Единый адрес: swd@nt-rt.ru