

SSV-B Sampling Ball Valves plastomer-lined

1/2" – 6"

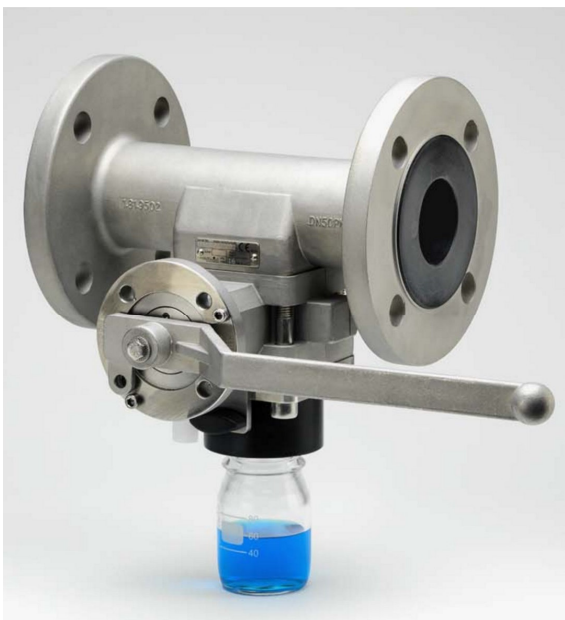
full-port design

for safe and representative sampling of aggressive or even toxic liquids from pressurized pipelines or vessels, without any process interruptions.

Modular Design

SSV-B Inline Sampling Ball Valves are available with standard handlever for 180° operation. The valves are distinguished by its dead-space-free design as well as the extremely short outlet way for the representative sample, even for viscous or solids-containing media.

The sturdy bodies are made of stainless steel casting 1.4408 (CF-8M), optional with resistant linings such as PFA or PFA-AS (conductive).

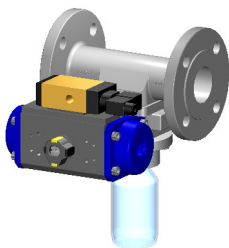


Main Features

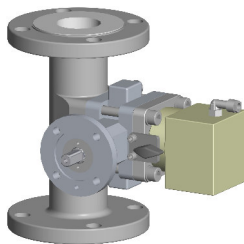
- Full-port design, no pressure drop
- Only one opening to the atmosphere
- Easy and safe operation by handlever, 2 stops for 180° motion, optionally with pneum. actuator DA
- One-piece ball/shaft, ETFE- or PFA-encapsulated, for defined sampling volume of appr. 1.58 oz. horizontal (optional appr. 0.88 oz.), appr. 0.88 oz. on vertical installation (optional: solid balls made of SS316L or Hastelloy C)
- All-purpose valve unit – installation on large size pipelines, vessels etc.
- Flange connections acc. to ANSI 150lbs (DIN opt.)

 **Conformity acc. to European Pressure Equipment Directive 97/23/EC (PED)**

Standard



with pneum. actuator DA



with vertical bottle adapter

Options / Accessories

- Bottle support with spring-loaded plate, adjustable
- Pneumatic actuator 180° DA (double-acting)
- Safety cabinet SS304 with inspection windows
- Flanges with groove, ANSI 300lbs, PN16/40 etc.
- Safety padlock
- Activated carbon filter
- Vertical adapter
- Safety plug for adapter
- Metal safety basket

other options on request

SSV-B Sampling Ball Valves plastomer-lined

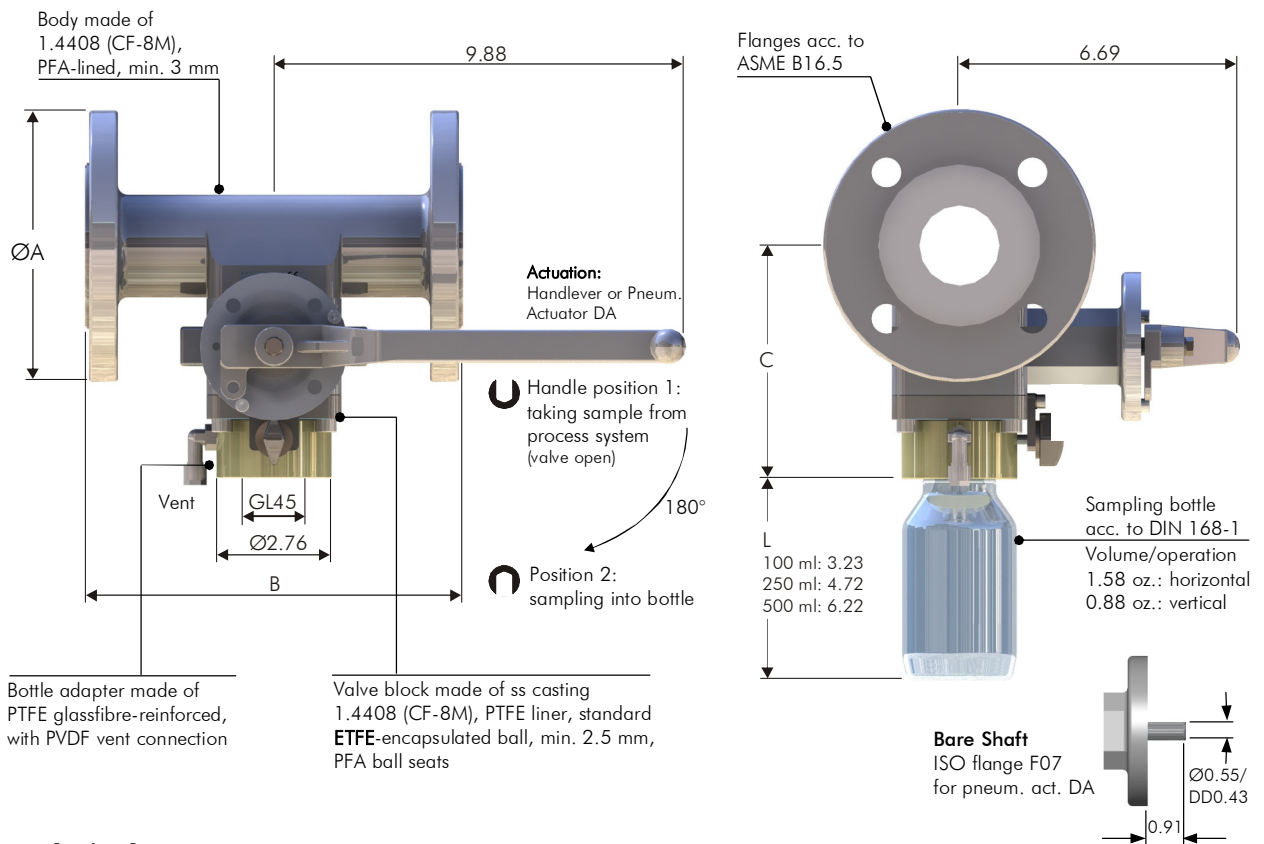
Operating Conditions

- Temperature range from -40°F up to +300°F, depending on lining material
- Pressure range up to 232 psi, depending on size/pressure/temperature

Testing / Marking

- Pressure- and tightness testing acc. to EN 12266-1, leakage rate A, resp. API 598.
- Marking of valves on body and name plate acc. to EN 19.
- Material- resp. test certificates acc. to EN 10204-3.1/2.2/2.1

Construction of Valve



Technical Data Dimensions in inch

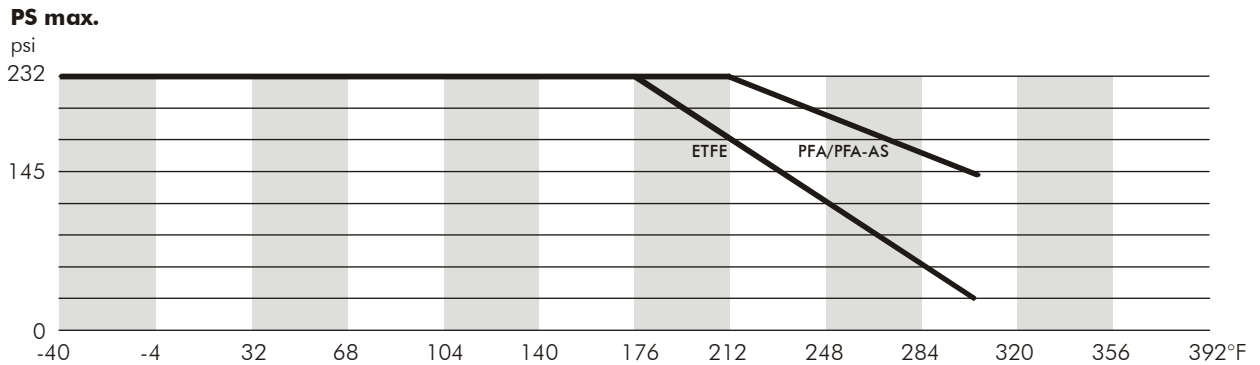
Size nom.	ØA	B	C	appr. Cv usg/min	Nm in-lbs*	Weight lbs
1/2"	3.74	6.30	4.69	21	310±45	11.66
3/4"	3.86	6.30	4.92	42	310±45	13.86
1"	4.25	6.50	4.92	81	310±45	15.18
1 1/2"	5.00	6.50	5.20	251	310±45	17.60
2"	6.00	7.00	5.39	372	310±45	20.46
3"	7.50	8.00	5.94	1,079	310±45	37.40
4"	9.00	9.00	6.61	1,653	310±45	55.44
6"	11.00	10.50	7.60	2,297	310±45	77.00

F/F acc. to ASME B16.10, other sizes and materials upon request

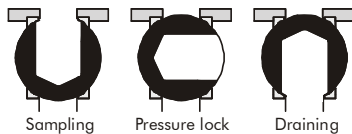
* Break-away torque without safety factor for pneum. 180° actuators, at standard combination such as ball ETFE/seat PFA

SSV-B Sampling Ball Valves plastomer-lined

Pressure-/Temperature Diagram



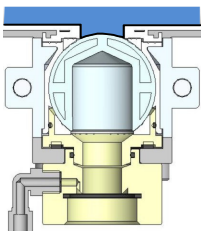
Operating Principle SSV-B Series (Sampling under pressure, with bottle)



Horizontal installation

Sampling volume approx. 1.58 oz. (optional 0.88 oz. or 0.42 oz.)

Note: depending on the req. volume, sampling procedure has to be repeated accordingly.

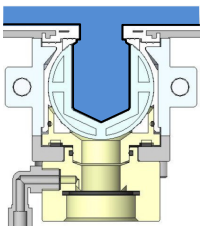


Valve in closed position

The valve is installed into a horizontal pipeline. The process line still provides full passage and allows easy cleaning at any time.

In closed valve position, the handle lever is in its initial vertical position, assured by two mechanical stops.

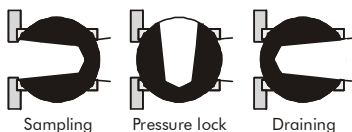
In order to prevent any unauthorized operation, the handle lever can be equipped with a safety padlock.



Valve in opened position for sampling

Liquid process media flows through the piping system. For taking out a sample, handle lever is rotated counter-clockwise at 180° towards the mechanical stop. The entire volume of the sampling ball is being filled with product.

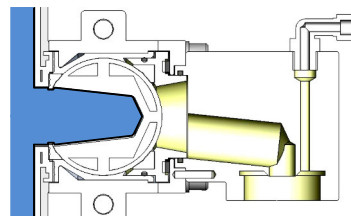
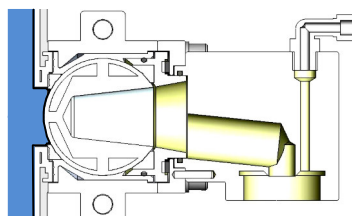
After a few seconds, lever is rotated 180° backwards into its initial position. Trapped media is moved downwards in order to flow into the lab bottle as a representative sample.



Vertical installation

Sampling volume approx. 0.88 oz.

Sampling procedure as described for horizontal version.

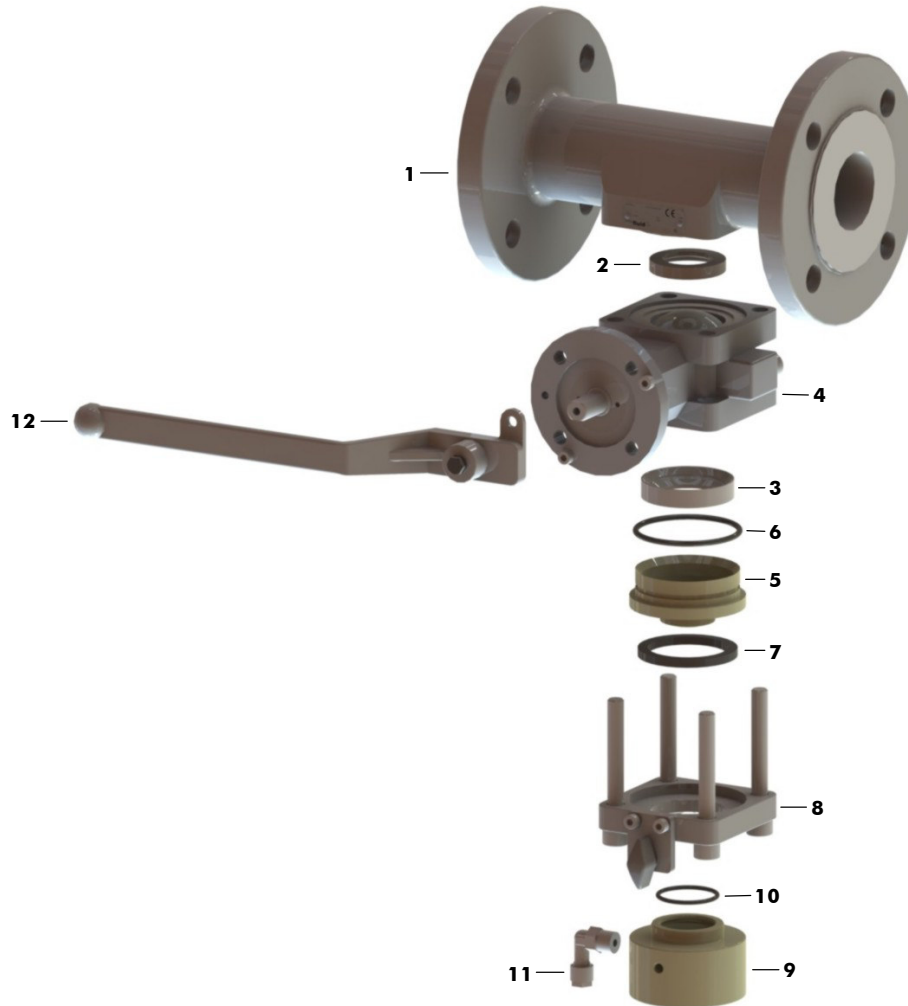


SSV-B Sampling Ball Valves plastomer-lined

Parts List

Manual Valve compl.

Standard Version (Picture showing DN 50 PN16, stainless steel body PFA-lined/ball ETFE-encapsulated, with handlever)



Main Components

Item	Qty.	Description	Body PFA-lined (stand.), ball ETFE-encapsulated	Body PFA-lined, ball PFA-encapsulated	Body SS (unlined), solid ball SS316L
			Materials	Materials	Materials
1	1	Body	CF-8M (1.4408)/PFA	CF-8M (1.4408)/PFA	CF-8M (1.4408)
2	1	Ball Seat	PFA	PTFE	PTFE
3	1	Ball Seat vertical	PFA	PTFE	PTFE
4	1	Valve unit: 2-piece body, ball, liner	CF-8M/ball ETFE/PTFE	CF-8M/ball PFA/PTFE	CF-8M/ball SS/PTFE
5	1	Ball Insert	PTFE-R	PTFE-R	PTFE-R
6	1	O-Ring (ball insert)	FEP/VMQ	FEP/VMQ	FEP/VMQ
7	1	Elastomer Pressure Ring	VMQ	VMQ	VMQ
8	1	Spacer unit: spacer, locking plate, bolts	SS316L/SS304	SS316L/SS304	SS316L/SS304
9	1	Bottle Adapter	PTFE-R	PTFE-R	PTFE-R
10	1	O-Ring (bottle adapter)	FEP/FPM	FEP/FPM	FEP/FPM
11	1	Elbow 90° (vent connection)	PVDF	PVDF	PVDF
12	1	Handlever unit: lever, bolts	CF-8 (1.4308)/SS304	CF-8 (1.4308)/SS304	CF-8 (1.4308)/SS304

other materials upon request

SSV-B Sampling Ball Valves plastomer-lined

Specification

Project-/Customer Data

Inquiry/Date: _____

Ref. SF _____

Company:	Contact Person:	Phone:
Address:	Function:	Fax:
ZIP/Place:	Department:	E-mail:
Project:	Phone direct:	Mobile:

Operating Conditions

Media / Chemical Composition:

<input type="checkbox"/> liquid	<input type="checkbox"/> powdery	<input type="checkbox"/> crystallizing	<input type="checkbox"/> sticky	<input type="checkbox"/> Spec. Grav. _____
<input type="checkbox"/> gaseous	<input type="checkbox"/> Solids ____ %	<input type="checkbox"/> viscous	<input type="checkbox"/> Flow Velocity _____ ft/sec	
<input type="checkbox"/> abrasive	<input type="checkbox"/> Particle ____ mm	<input type="checkbox"/> Visc. _____ cp	<input type="checkbox"/> Flow Rate _____ usg/min	

Pressure

max. ____ bar

min. ____ bar

Temperature

max. ____ °C

min. ____ °C

Sampl. Volume

1.58 oz. horiz.

0.88 oz. horiz.

0.42 oz. horiz.

Installation / Environment

horizontal

vert. 0.88 oz.

Room dry

Room humid

outdoor

Remarks: _____

SSV-B Product Code

Specification of a complete Inline Sampling Ball Valve SSV-B Series

Product code	Nom. size	Flange conn.	Body	Lining body	Ball	Ball liner	Actuation/ shaft end	Bottle adapter	Bottle thread
SSV-B	2"	150#	G15	A85	U91	A80	HH	H95	45
	1/2" - 6" DN15 - 150	ANSI150# ANSI300# PN16 JIS 10K	G15 CF-8M G34 SS316L	A85 PFA A86 PFA-AS	U85 PFA U86 PFA-AS U91 ETFE S32 SS316L S44 Hast.C	A80 PTFE A82 PTFE-AS	HH Handlever DD DD drive DA pneum. DA	H95 PTFE-R hor. H97 PTFE-T-AS hor. H32 SS316L hor. V95 PTFE-R vert. V97 PTFE-T-AS vert. V32 SS316L vert.	45 GL45 32 GL32

По вопросам продаж и поддержки обращайтесь:

Волгоград (844)278-03-48, Воронеж (473)204-51-73, Екатеринбург (343)384-55-89, Казань(843)206-01-48,
Краснодар(861)203-40-90, Красноярск(391)204-63-61, Москва(495)268-04-70, Нижний Новгород(831)429-08-12,
Новосибирск(383)227-86-73, Ростов-на-Дону(863)308-18-15, Самара(846)206-03-16,
Санкт-Петербург(812)309-46-40, Саратов(845)249-38-78, Уфа(347)229-48-12,

Единый адрес: swd@nt-rt.ru